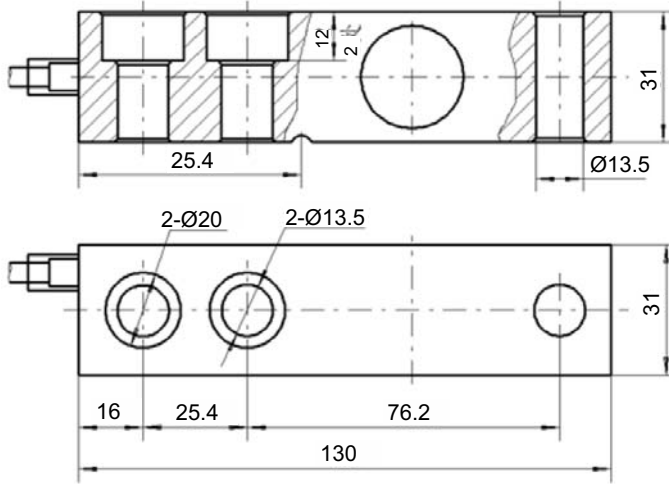


HANA LOAD-CELL HL-H8C E

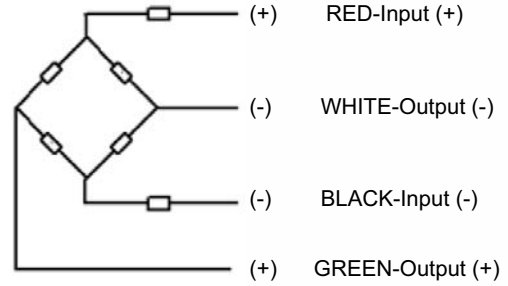


IP67 koruma sınıfı



Cable Wiring :

4-wires cable with shielded, 2m cable length



- Class: C3
- Excitation: 5~12VDC (NOM). 18VDC (MAX)
- Insul Res: > 5000MΩ(50VDC)
- Non-Repeatability: <0.02% of FS
- Zero Balance: <1.0% of F.S
- Temp. Sens. Zero: <0.017% F.S/10°C
- Temp. Sens. Output: $\leq \pm 0.011\%$ F.S/10°C
- Non-linearity: 0.02% of
- F.S Hysteresis: <0.02% of F.S
- Calibration Data Rated Output: 3.0 ± 0.003 mV/V
- Combined Error: <0.02% of F.S
- Input Resistance: $385 \pm 10\Omega$
- Output Resistance: $350 \pm 2\Omega$
- Comp. Temp. Range: -10°C to 40°C
- Operating Temp: -30°C to 70°C
- Safe Overload: (150%)
- Ultimate Overload: (300%)

KAPASİTELER

C-3

2 t