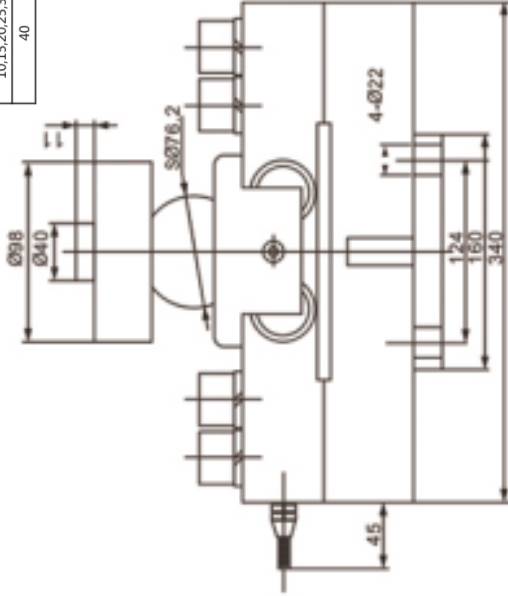
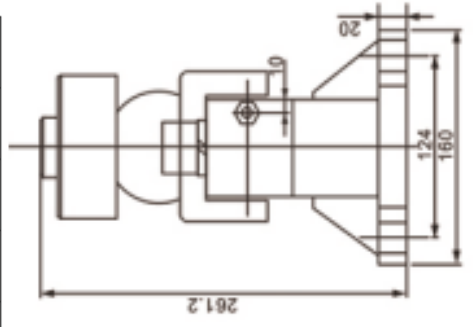


# HL-HM9B

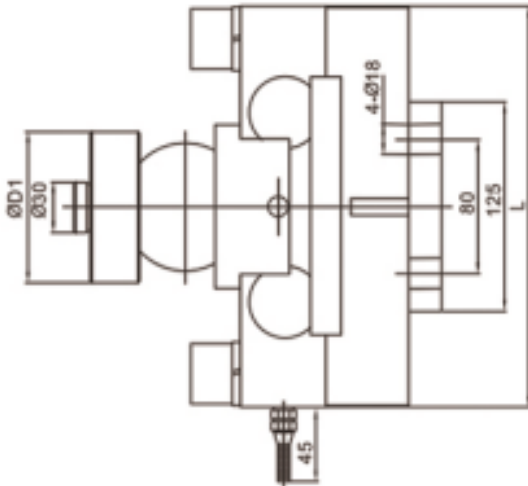
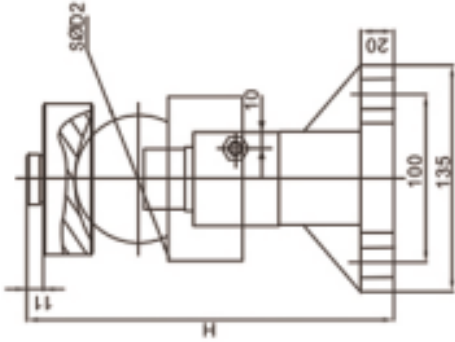
## ÇELİK ALAŞIM LAMA TİPİ YÜK HÜCRESİ

(mm) (In mm, 1mm=0.03937inches)

(t)Rated load	D1	D2	H	L
5	68	50.8	168.8	224
10,15,20,25,30,	85-88	76.2	224.7	240
40	88	76.2	230.7	240



50t



IP68 çok yüksek su koruma sınıfı



### KAPASİTE

C-3	KAPASİTE
	10 t
	20 t
	30 t
	40 t
	50 t
	60 t
	100 t

### Teknik Özellikler

Rated capacities(Emax)	5 , 10 , 15 , 20 , 25 , 30 , 40 , 50t
sensitivity	2.0±0.002mV/V , 3.0±0.002mV/V
Total error	±0.02%F.S ; ±0.05%F.S
Creep error	±0.02%F.S ( 30min )
Zero balance	±1%F.S
TCO	±0.02%F.S/10°C
TC SPAN	±0.02%F.S/10°C
Input impedance	750±10Ω ,
Output impedance	702±3Ω ; 703±5Ω ( L≥15m )
Insulation impedance	≥5000MΩ ( 100V DC )

Temperature range compensated	-10°C~+40°C
Temperature range operateing	-30°C~+70°C
MAX safety overload	150%F.S
Limit overload	180%F.S
Excitation voltage ,recommend	10~12V DC
Excitation voltage ,maximum	15V DC
Protuction class	IP67 , IP68
Construction	( Alloy Steel )Stainless Steel
Cable	Length : 12m 16m Diameter : φ6mm
Execution standard	GB/T7551-2008 , OIML R60